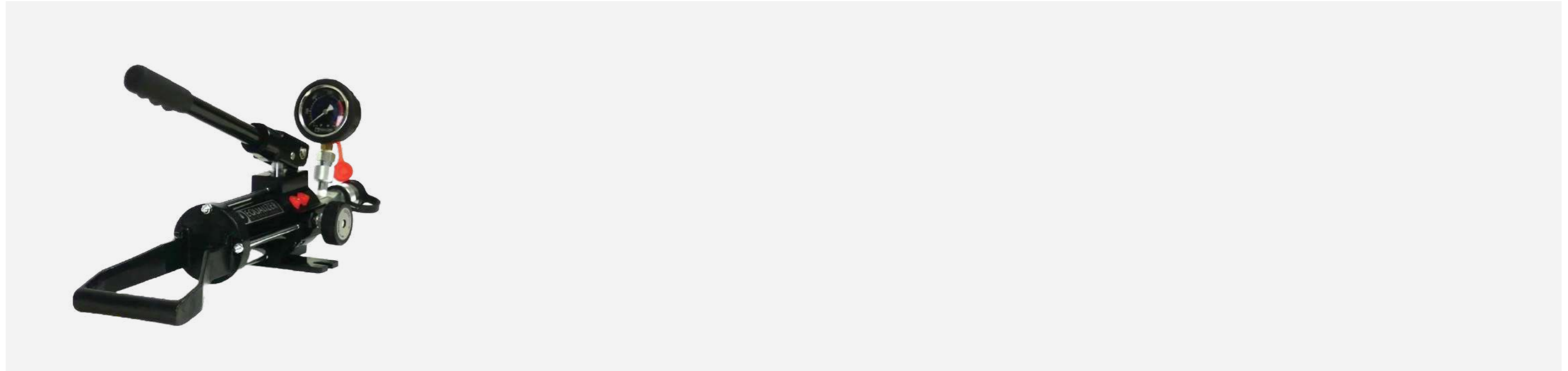


HP350SMIN, Two Speed 18.3 in³ Usable Oil, Hydraulic Sealed Hand Pump

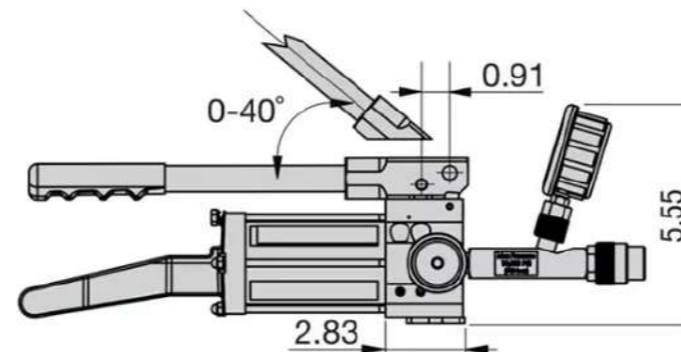


Product description:

Model: HP350SMIN
 Power Source: Manual
 Usable Oil Capacity: 300 cm³ | 18.3 in³
 Piston Stroke: 18 mm | 0.71 in
 Weight: 4.9 kg | 10.8 lbs
 Maximum Operating Pressure: 690 bar | 10000 PSI
 Maximum Operating Pressure 1st/2nd Stage: 13.8/700 bar
 Manufacturer: SAIVS
 Country of Origin: China
 Minimum Order: 1 Piece
 Brand Name: Replacement Enerpac's HP350 SMIN

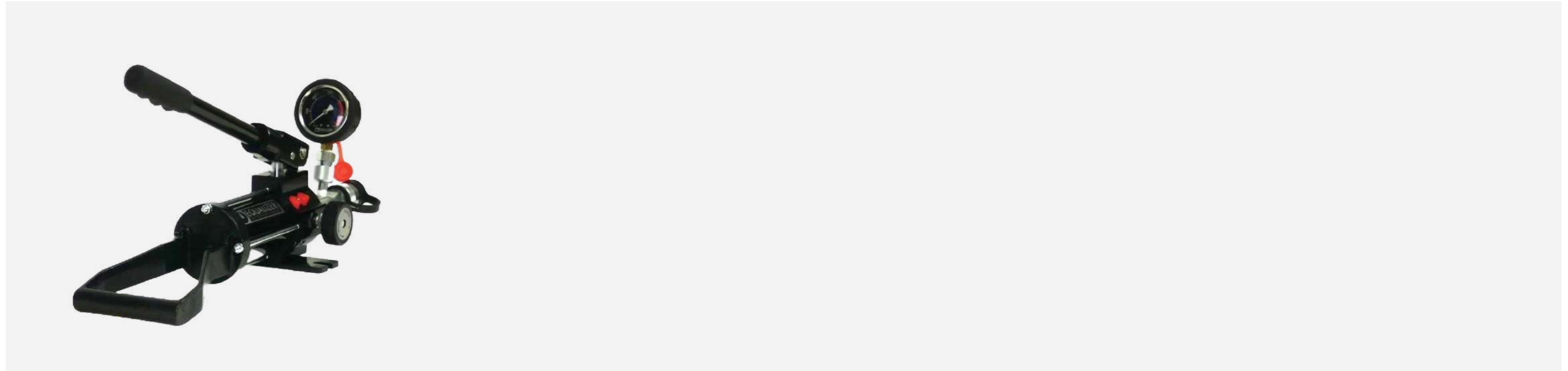
The HP350SMIN Set includes:

- 1 x HP350S Pump Unit
- 1 x 10000 psi (700 bar) Gauge
- 1 x 3/8" Port Gauge Adaptor
- 1 x Instruction Manual
- 1 x Cardboard Packaging



Model	HP350SMIN
Availability	Available for Backorder
Maximum Operating Pressure (bar)	690 10000 PSI
Maximum Operating Pressure 1st Stage (bar)	13.8
Maximum Operating Pressure 2nd Stage (bar)	700
Reservoir Capacity (cm ³)	300
Usable Oil Capacity (cm ³)	300 18.3 in ³
Nominal Oil Capacity (cm ³)	350
Maximum Flow at Rated Pressure	0.77 cm ³ /stroke
Oil Volume Per Stroke 1st Stage (cm ³)	3.62
Oil Volume Per Stroke 2nd Stage (cm ³)	0.77
Maximum Handle Effort (kg)	33
Piston Stroke (mm)	18 0.71 in
Power Source	Manual
Packaging Dimensions (mm)	250 x 180 x 600
Overall Length (mm)	554
Handle Length (mm)	360
Weight (kg)	4.9 10.8 lbs

HP550SMIN, Two Speed 35.4 in³ Usable Oil, Hydraulic Sealed Hand Pump

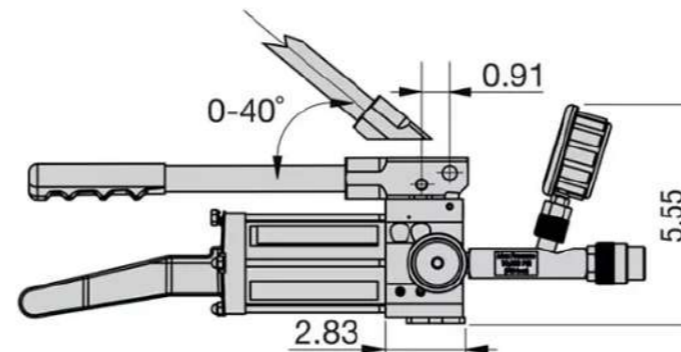


Product description:

Model: HP550SMIN
 Power Source: Manual
 Usable Oil Capacity: 580 | 35.4 in³
 Piston Stroke: 18 mm | 0.71 in
 Weight: 5.9 kg | 13 lbs
 Maximum Operating Pressure: 690 bar | 10000 PSI
 Maximum Operating Pressure 1st/2nd Stage : 13.8/700 bar
 Manufacturer: SAIVS
 Country of Origin: China
 Minimum Order: 1 Piece
 Brand Name: Replacement Enerpac's HP550 SMIN

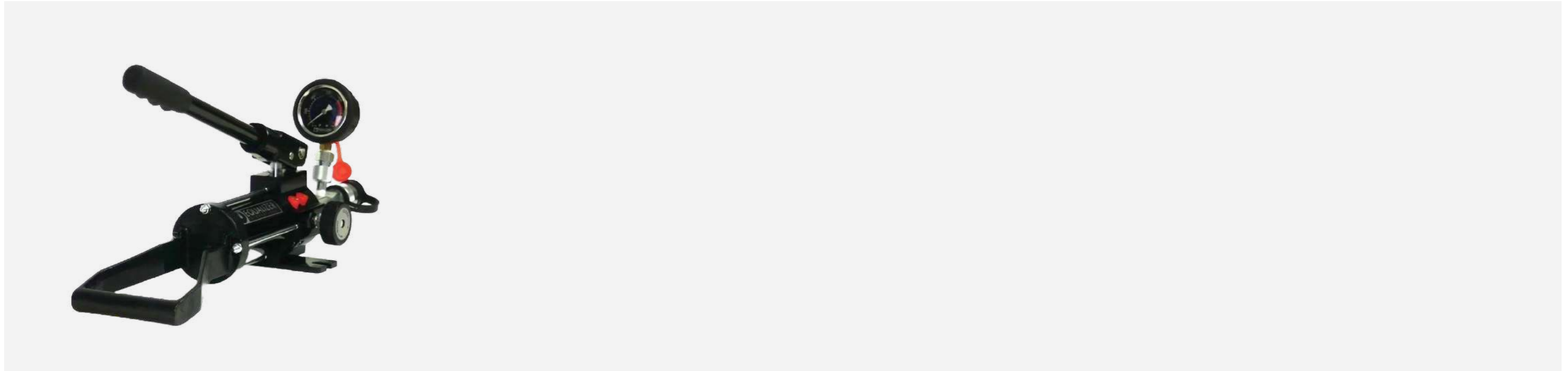
The HP550SMIN Set includes:

- 1 x HP550S Pump Unit
- 1 x 10000 psi (700 bar) Gauge
- 1 x 3/8" Port Gauge Adaptor
- 1 x Instruction Manual
- 1 x Cardboard Packaging



Model	HP550SMIN
Availability	Available for Backorder
Maximum Operating Pressure (bar)	690 10000 PSI
Maximum Operating Pressure 1st Stage (bar)	13.8
Maximum Operating Pressure 2nd Stage (bar)	700
Reservoir Capacity (cm ³)	580
Usable Oil Capacity (cm ³)	580 35.4 in ³
Nominal Oil Capacity (cm ³)	550
Maximum Flow at Rated Pressure	0.77 cm ³ /stroke
Oil Volume Per Stroke 1st Stage (cm ³)	3.62
Oil Volume Per Stroke 2nd Stage (cm ³)	0.77
Maximum Handle Effort (kg)	25
Piston Stroke (mm)	18 0.71 in
Power Source	Manual
Packaging Dimensions (mm)	250 x 180 x 700
Overall Length (mm)	643
Handle Length (mm)	490
Weight (kg)	5.9 13 lbs

HP1000SMIN, Two Speed 67.7 in³ Usable Oil, Hydraulic Sealed Hand Pump

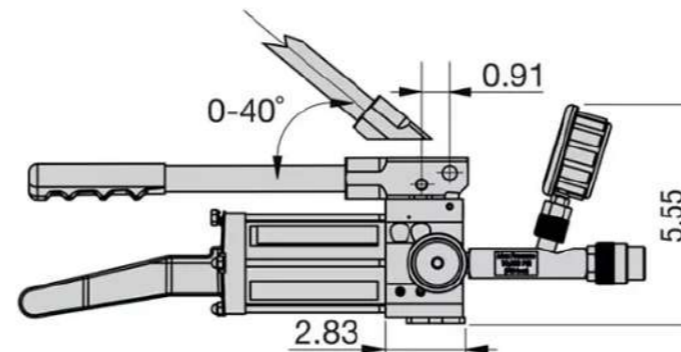


Product description:

Model: HP1000SMIN
 Power Source: Manual
 Usable Oil Capacity: 1110 | 67.7 in³
 Piston Stroke: 18 mm | 0.71 in
 Weight: 7.1 kg | 15.7 lbs
 Maximum Operating Pressure: 690 bar | 10000 PSI
 Maximum Operating Pressure 1st/2nd Stage : 13.8/700 bar
 Manufacturer: SAIVS
 Country of Origin: China
 Minimum Order: 1 Piece
 Brand Name: Replacement Enerpac's HP 1000SMIN

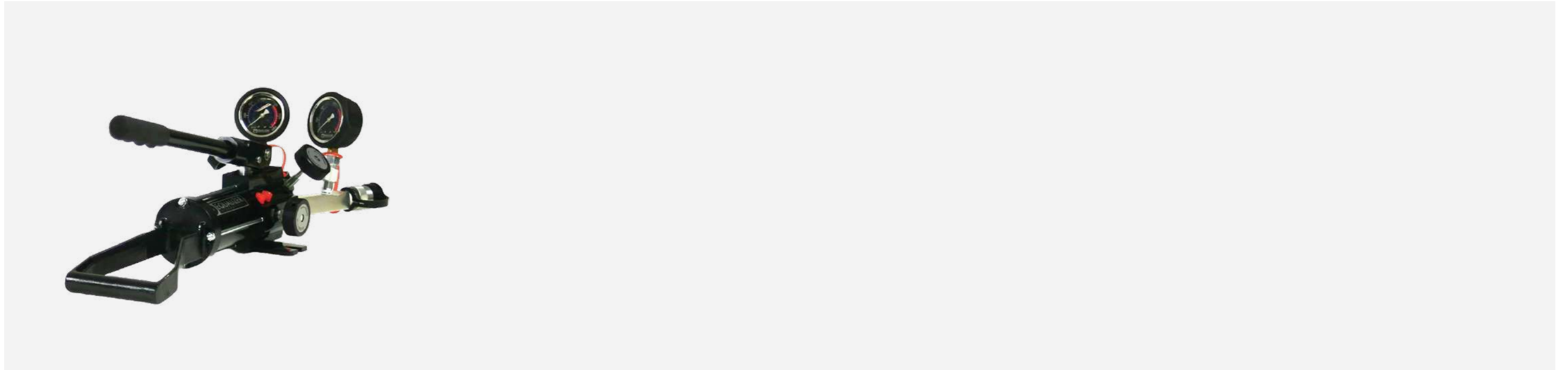
The HP1000SMIN Set includes:

- 1 x HP1000S Pump Unit
- 1 x 10000 psi (700 bar) Gauge
- 1 x 3/8" Port Gauge Adaptor
- 1 x Instruction Manual
- 1 x Cardboard Packaging



Model	HP1000SMIN
Availability	Available for Backorder
Maximum Operating Pressure (bar)	690 10000 PSI
Maximum Operating Pressure 1st Stage (bar)	13.8
Maximum Operating Pressure 2nd Stage (bar)	700
Reservoir Capacity (cm ³)	1110
Usable Oil Capacity (cm ³)	1110 67.7 in ³
Nominal Oil Capacity (cm ³)	1000
Maximum Flow at Rated Pressure	0.77 cm ³ /stroke
Oil Volume Per Stroke 1st Stage (cm ³)	3.62
Oil Volume Per Stroke 2nd Stage (cm ³)	0.77
Maximum Handle Effort (kg)	21
Piston Stroke (mm)	18 0.71 in
Power Source	Manual
Packaging Dimensions (mm)	250 x 180 x 900
Overall Length (mm)	867
Handle Length (mm)	537
Weight (kg)	7.1 15.7 lbs

HP350DMIN, Two Speed 18.3 in³ Usable Oil, Hydraulic Sealed Hand Pump

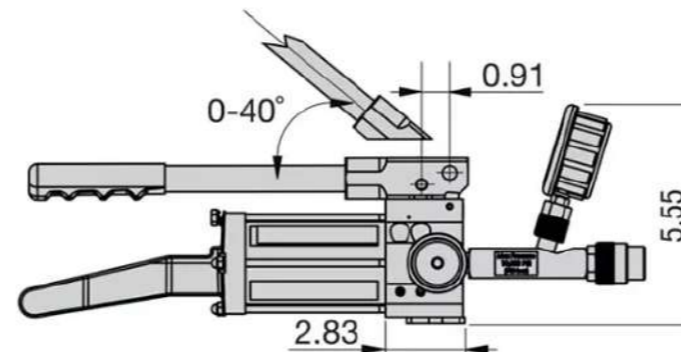


Product description:

Model: HP350DMIN
 Power Source: Manual
 Usable Oil Capacity: 300 cm³ | 18.3 in³
 Piston Stroke: 18 mm | 0.71 in
 Weight: 7.2 kg | 15.9 lbs
 Maximum Operating Pressure: 690 bar | 10000 PSI
 Maximum Operating Pressure 1st/2nd Stage: 13.8/700 bar
 Manufacturer: SAIVS
 Country of Origin: China
 Minimum Order: 1 Piece
 Brand Name: Replacement Enerpac's HP 350DMIN

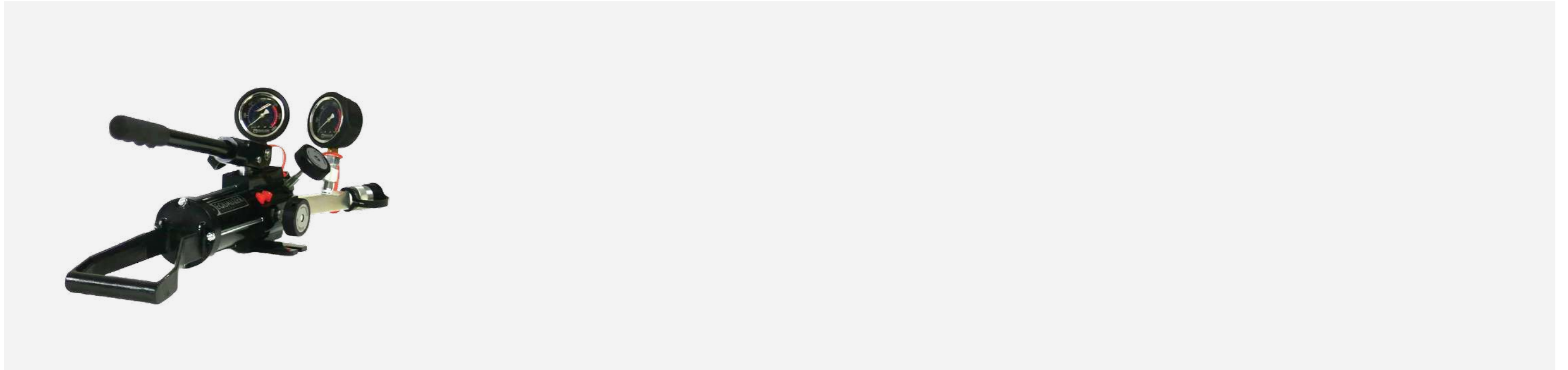
The HP350DMIN Set includes:

- 1 x HP350D Pump Unit
- 2 x 10000 psi (700 bar) Gauge
- 2 x 3/8" Port Gauge Adaptor
- 1 x Instruction Manual
- 1 x Cardboard Packaging



Model	HP350DMIN
Availability	Available for Backorder
Maximum Operating Pressure (bar)	690 10000 PSI
Maximum Operating Pressure 1st Stage (bar)	13.8
Maximum Operating Pressure 2nd Stage (bar)	700
Reservoir Capacity (cm3)	300
Usable Oil Capacity (cm3)	300 18.3 in ³
Nominal Oil Capacity (cm3)	350
Maximum Flow at Rated Pressure	0.77 cm ³ /stroke
Oil Volume Per Stroke 1st Stage (cm3)	3.62
Oil Volume Per Stroke 2nd Stage (cm3)	0.77
Maximum Handle Effort (kg)	33
Piston Stroke (mm)	18 0.71 in
Power Source	Manual
Packaging Dimensions (mm)	250 x 180 x 600
Overall Length (mm)	580
Handle Length (mm)	360
Weight (kg)	7.2 15.9 lbs

HP550DMIN, Two Speed 35.4 in³ Usable Oil, Hydraulic Sealed Hand Pump

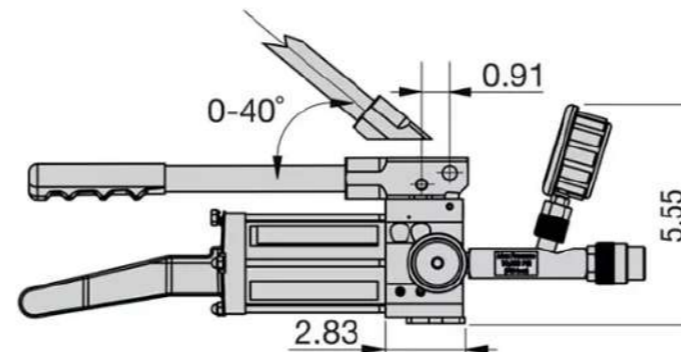


Product description:

Model: HP550DMIN
 Power Source: Manual
 Usable Oil Capacity: 580 | 35.4 in³
 Piston Stroke: 18 mm | 0.71 in
 Weight: 8.1 kg | 17.9 lbs
 Maximum Operating Pressure: 690 bar | 10000 PSI
 Maximum Operating Pressure 1st/2nd Stage: 13.8/700 bar
 Manufacturer: SAIVS
 Country of Origin: China
 Minimum Order: 1 Piece
 Brand Name: Replacement Enerpac's HP550DMIN

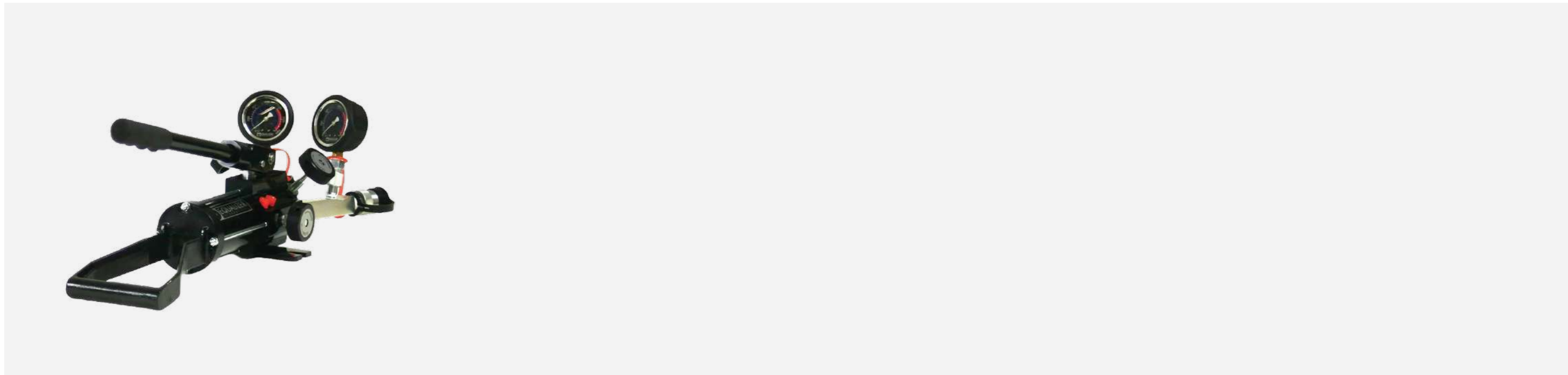
The HP550DMIN Set includes:

- 1 x HP550D Pump Unit
- 2 x 10000 psi (700 bar) Gauge
- 2 x 3/8" Port Gauge Adaptor
- 1 x Instruction Manual
- 1 x Cardboard Packaging



Model	HP550DMIN
Availability	Available for Backorder
Maximum Operating Pressure (bar)	690 10000 PSI
Maximum Operating Pressure 1st Stage (bar)	13.8
Maximum Operating Pressure 2nd Stage (bar)	700
Reservoir Capacity (cm ³)	580
Usable Oil Capacity (cm ³)	580 35.4 in ³
Nominal Oil Capacity (cm ³)	550
Maximum Flow at Rated Pressure	0.77 cm ³ /stroke
Oil Volume Per Stroke 1st Stage (cm ³)	3.62
Oil Volume Per Stroke 2nd Stage (cm ³)	0.77
Maximum Handle Effort (kg)	25
Piston Stroke (mm)	18 0.71 in
Power Source	Manual
Packaging Dimensions (mm)	250 x 180 x 700
Overall Length (mm)	669
Handle Length (mm)	490
Weight (kg)	8.1 17.9 lbs

HP1000DMIN, Two Speed 67.7 in³ Usable Oil, Hydraulic Sealed Hand Pump

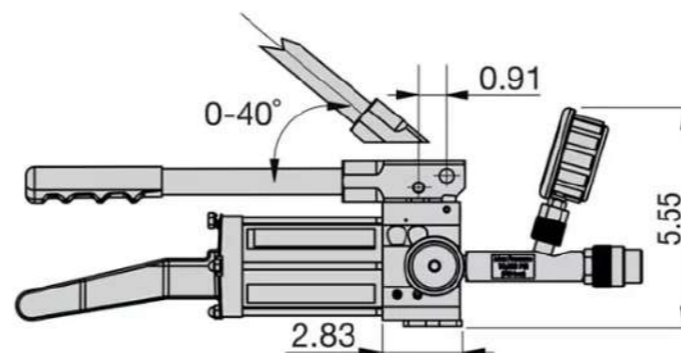


Product description:

Model: HP1000DMIN
 Power Source: Manual
 Usable Oil Capacity: 1110 | 67.7 in³
 Piston Stroke: 18 mm | 0.71 in
 Weight: 9.3 kg | 20.5 lbs
 Maximum Operating Pressure: 690 bar | 10000 PSI
 Maximum Operating Pressure 1st/2nd Stage: 13.8/700 bar
 Manufacturer: SAIVS
 Country of Origin: China
 Minimum Order: 1 Piece
 Brand Name: Replacement Enerpac's HP1000DMIN

The HP1000DMIN Set includes:

- 1 x HP1000D Pump Unit
- 2 x 10000 psi (700 bar) Gauge
- 2 x 3/8" Port Gauge Adaptor
- 1 x Instruction Manual
- 1 x Cardboard Packaging



Model	HP1000DMIN
Availability	Available – In Stock
Maximum Operating Pressure (bar)	690 10000 PSI
Maximum Operating Pressure 1st Stage (bar)	13.8
Maximum Operating Pressure 2nd Stage (bar)	700
Reservoir Capacity (cm ³)	1110
Usable Oil Capacity (cm ³)	1110 67.7 in ³
Nominal Oil Capacity (cm ³)	1000
Maximum Flow at Rated Pressure	0.77 cm ³ /stroke
Oil Volume Per Stroke 1st Stage (cm ³)	3.62
Oil Volume Per Stroke 2nd Stage (cm ³)	0.77
Maximum Handle Effort (kg)	21
Piston Stroke (mm)	18 0.71 in
Power Source	Manual
Packaging Dimensions (mm)	250 x 180 x 900
Overall Length (mm)	893
Handle Length (mm)	537
Weight (kg)	9.3 20.5 lbs