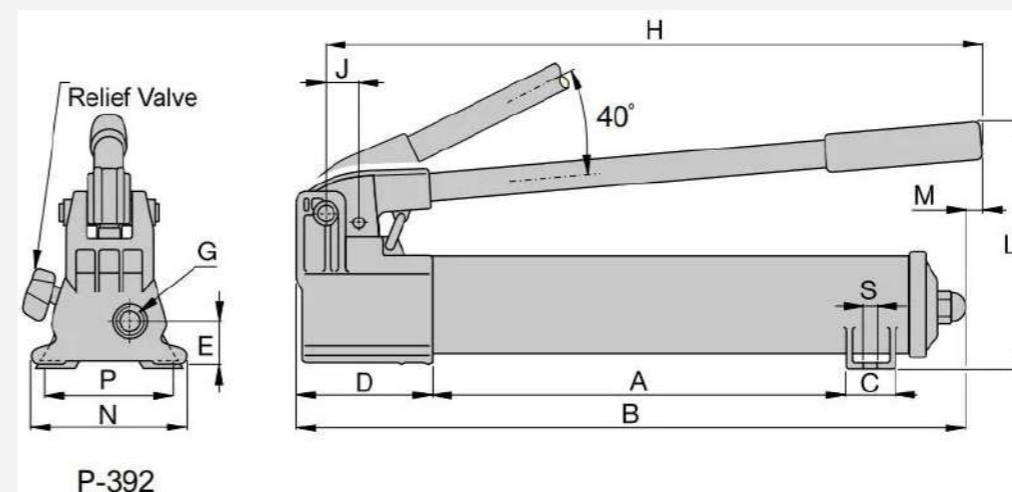


Hydraulic Hand Pump



P392 Two Speed, Single-acting Hydraulic Steel Hand Pump

Product description:

Model:P392

Pump Type:Double Speed

Used with Cylinder:Single-Acting

Usable Oil Capacity: 655 cm³

Max.Operating Pressure: 700 bar

Pressure Rating 1st Stage: 25bar/348.1 psi

Pressure Rating 2nd Stage:700bar/10000 psi

Oil Displacement Per Stroke 1st Stage: 15cm³

Oil Displacement Per Stroke 2nd Stage: 2.62cm³

Weight:5.9 kg

Minimum Order:1Piece

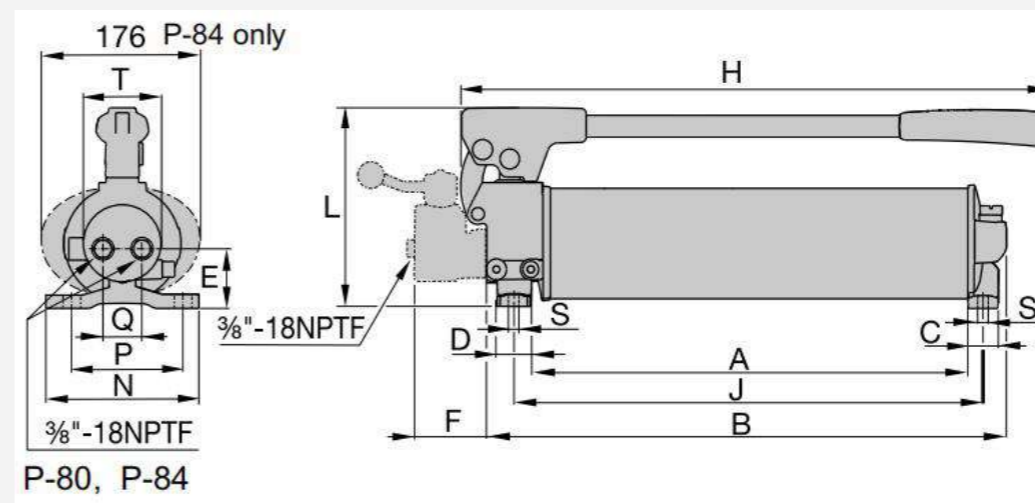
Manufacturer:SAIVS

Country of Origin:China

Model Number	A	B	C	D	E	F	H	J	L	M	N	P	Q	R	S	T
P392	393	520	35	38	32	-	464	30	119	65	133	-	-	-	-	-

Model Number	Pump Type	Usable Oil Capacity (cm ³)	Pressure Rating (bar)	Oil Displacement per Stroke (cm ³)	Max. Handle Effort (kg)	Piston Stroke (mm)	Weight (kg)
P392	Double speed	655	1 st stage: 25 2 nd stage: 700	1 st stage: 15 2 nd stage: 2.62	50	20.6	5.9
P80		2200	1 st stage: 25 2 nd stage: 700	1 st stage: 16.22 2 nd stage: 2.46	47	25.4	10.9
P84		2200	1 st stage: 25 2 nd stage: 700	1 st stage: 16.22 2 nd stage: 2.46	49	25.4	13.2
P462		7423	1 st stage: 14 2 nd stage: 700	1 st stage: 26.20 2 nd stage: 4.75	49	38.1	27
P464		7423	1 st stage: 14 2 nd stage: 700	1 st stage: 26.20 2 nd stage: 4.75	49	38.1	27.7

Hydraulic Hand Pump



P84 Two Speed, Hydraulic Steel Hand Pump, Double-Acting Cylinders

Product description:

Model:P84

Pump Type: Two Speed

Used with Cylinder: Double-Acting Cylinders

Usable Oil Capacity: 2200cm³

Max. Operating Pressure: 700 bar

Pressure Rating 1st Stage: 25bar/348.1 psi

Pressure Rating 2nd Stage: 700bar/10000 psi

Oil Displacement Per Stroke 1st Stage (cm³) 16.22

Oil Displacement Per Stroke 2nd Stage (cm³) 2.46

Weight: 13.2 kg

Minimum Order: 1 Piece

Manufacturer: SAIVS

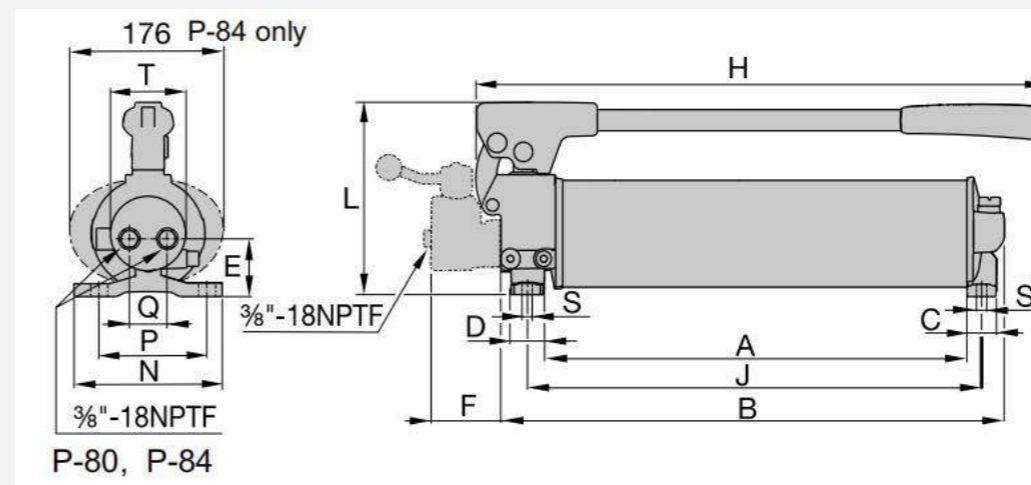
Country of Origin: China

Model Number	A	B	C	D	E	F	H	J	L	M	N	P	Q	R	S	T
P84	425	510	25	44	-	64	527	29	174	19	146	121	38	43	8	67

Model Number	Pump Type	Usable Oil Capacity (cm ³)	Pressure Rating (bar)	Oil Displacement per Stroke (cm ³)	Max. Handle Effort (kg)	Piston Stroke (mm)	Weight (kg)
P84	Double speed	2200	1 st stage: 25 2 nd stage: 700	1 st stage: 16.22 2 nd stage: 2.46	49	25.4	13.2

Model Number	Pump Type	Usable Oil Capacity (cm ³)	Pressure Rating (bar)	Oil Displacement per Stroke (cm ³)	Max. Handle Effort (kg)	Piston Stroke (mm)	Weight (kg)
P392	Double speed	655	1 st stage: 25 2 nd stage: 700	1 st stage: 15 2 nd stage: 2.62	50	20.6	5.9
P80		2200	1 st stage: 25 2 nd stage: 700	1 st stage: 16.22 2 nd stage: 2.46	47	25.4	10.9
P84		2200	1 st stage: 25 2 nd stage: 700	1 st stage: 16.22 2 nd stage: 2.46	49	25.4	13.2
P462		7423	1 st stage: 14 2 nd stage: 700	1 st stage: 26.20 2 nd stage: 4.75	49	38.1	27
P464		7423	1 st stage: 14 2 nd stage: 700	1 st stage: 26.20 2 nd stage: 4.75	49	38.1	27.7

Hydraulic Hand Pump



P80 Two Speed, Single-acting Hydraulic Steel Hand Pump

Product description:

Model: P80

Pump Type: Double Speed

Used with Cylinder: Single-Acting

Usable Oil Capacity: 2200cm³

Max. Operating Pressure: 700 bar

Pressure Rating 1st Stage: 25bar/348.1 psi

Pressure Rating 2nd Stage: 700bar/10000 psi

Oil Displacement Per Stroke 1st Stage (cm³) 16.22

Oil Displacement Per Stroke 2nd Stage (cm³) 2.46

Weight: 10.9 kg

Minimum Order: 1 Piece

Manufacturer: SAIVS

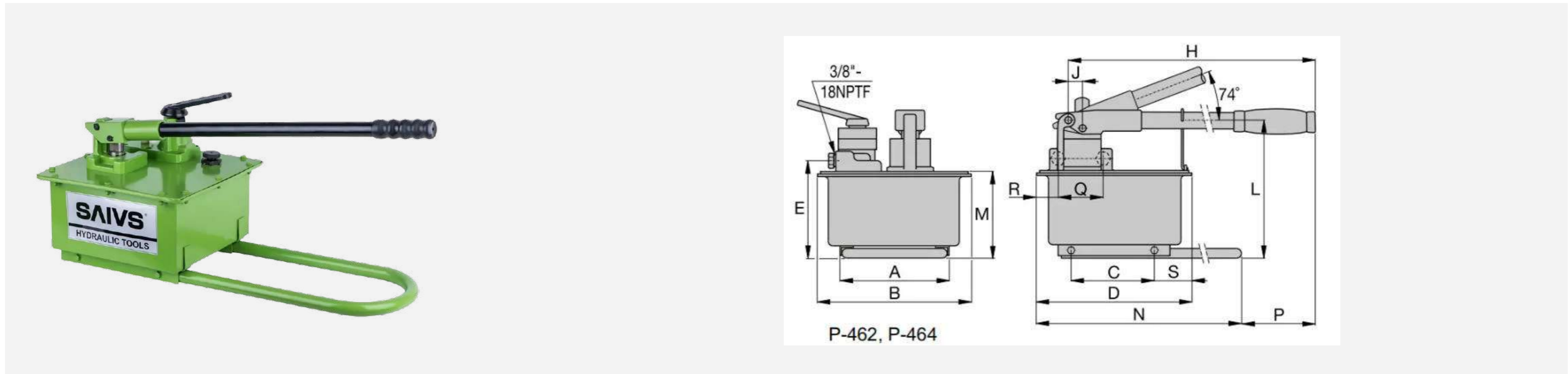
Country of Origin: China

Model Number	A	B	C	D	E	F	H	J	L	M	N	P	Q	R	S	T
P80	425	539	25	44	54	-	527	29	174	19	146	121	-	21	8	67

Model Number	Pump Type	Usable Oil Capacity (cm ³)	Pressure Rating (bar)	Oil Displacement per Stroke (cm ³)	Max. Handle Effort (kg)	Piston Stroke (mm)	Weight (kg)
P80	Two Speed	2200	1 st stage: 25 2 nd stage: 700	1 st stage: 16.22 2 nd stage: 2.46	47	25.4	10.9

Model Number	Pump Type	Usable Oil Capacity (cm ³)	Pressure Rating (bar)	Oil Displacement per Stroke (cm ³)	Max. Handle Effort (kg)	Piston Stroke (mm)	Weight (kg)
P392	Double speed	655	1 st stage: 25 2 nd stage: 700	1 st stage: 15 2 nd stage: 2.62	50	20.6	5.9
P80		2200	1 st stage: 25 2 nd stage: 700	1 st stage: 16.22 2 nd stage: 2.46	47	25.4	10.9
P84		2200	1 st stage: 25 2 nd stage: 700	1 st stage: 16.22 2 nd stage: 2.46	49	25.4	13.2
P462		7423	1 st stage: 14 2 nd stage: 700	1 st stage: 26.20 2 nd stage: 4.75	49	38.1	27
P464		7423	1 st stage: 14 2 nd stage: 700	1 st stage: 26.20 2 nd stage: 4.75	49	38.1	27.7

Hydraulic Hand Pump



P464 Two Speed, Steel Hydraulic Hand Pump, Double-Acting Cylinders

Product description:

Model:P464

Pump Type:Double Speed

Used with Cylinder:Double-Acting Cylinders

Usable Oil Capacity: 7423cm³

Max.Operating Pressure: 700 bar

Pressure Rating 1st Stage: 25bar/348.1 psi

Pressure Rating 2nd Stage:700bar/10000 psi

Oil Displacement Per Stroke 1st Stage (cm³)126.2

Oil Displacement Per Stroke 2nd Stage (cm³)4.75

Weight:27.7 kg

Minimum Order:1Piece

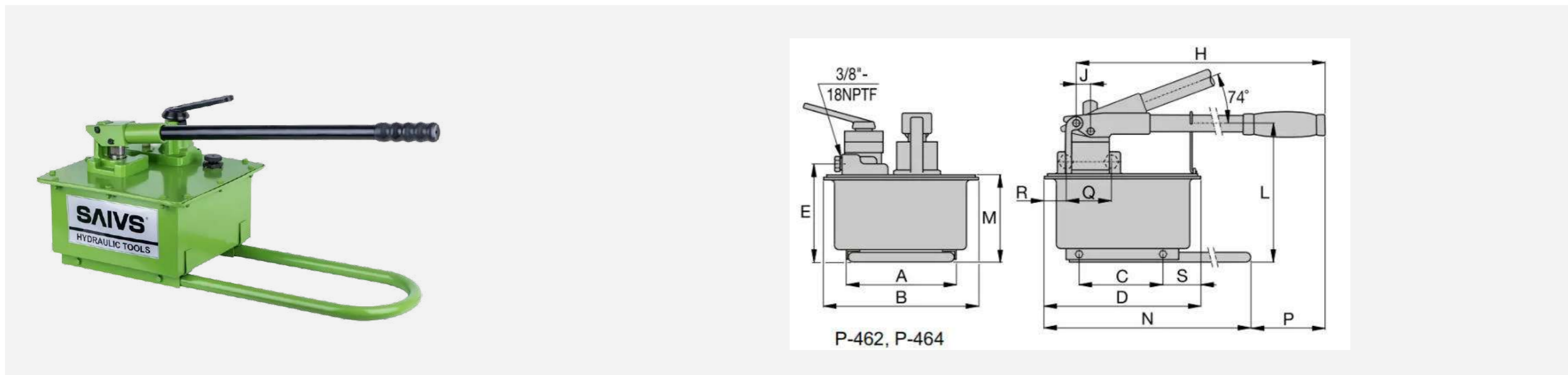
Manufacturer:SAIVS

Country of Origin:China

Model Number	A	B	C	D	E	F	H	J	L	M	N	P	Q	R	S	T
P392	393	520	35	38	32	-	464	30	119	65	133	-	-	-	-	-
P80	425	539	25	44	54	-	527	29	174	19	146	121	-	21	8	67
P84	425	510	25	44	-	64	527	29	174	19	146	121	38	43	8	67
P462	210	308	163	320	195	-	671	25	270	175	650	92	-	-	-	-
P464	210	308	163	320	195	-	671	25	270	175	650	92	89	68	80	-

Model Number	Pump Type	Usable Oil Capacity (cm ³)	Pressure Rating (bar)	Oil Displacement per Stroke (cm ³)	Max. Handle Effort (kg)	Piston Stroke (mm)	Weight (kg)
P392	Double speed	655	1 st stage: 25	1 st stage: 15	50	20.6	5.9
			2 nd stage: 700	2 nd stage: 2.62			
P80		2200	1 st stage: 25	1 st stage: 16.22	47	25.4	10.9
			2 nd stage: 700	2 nd stage: 2.46			
P84		2200	1 st stage: 25	1 st stage: 16.22	49	25.4	13.2
	2 nd stage: 700		2 nd stage: 2.46				
P462	7423	1 st stage: 14	1 st stage: 26.20	49	38.1	27	
		2 nd stage: 700	2 nd stage: 4.75				
P464	7423	1 st stage: 14	1 st stage: 26.20	49	38.1	27.7	
		2 nd stage: 700	2 nd stage: 4.75				

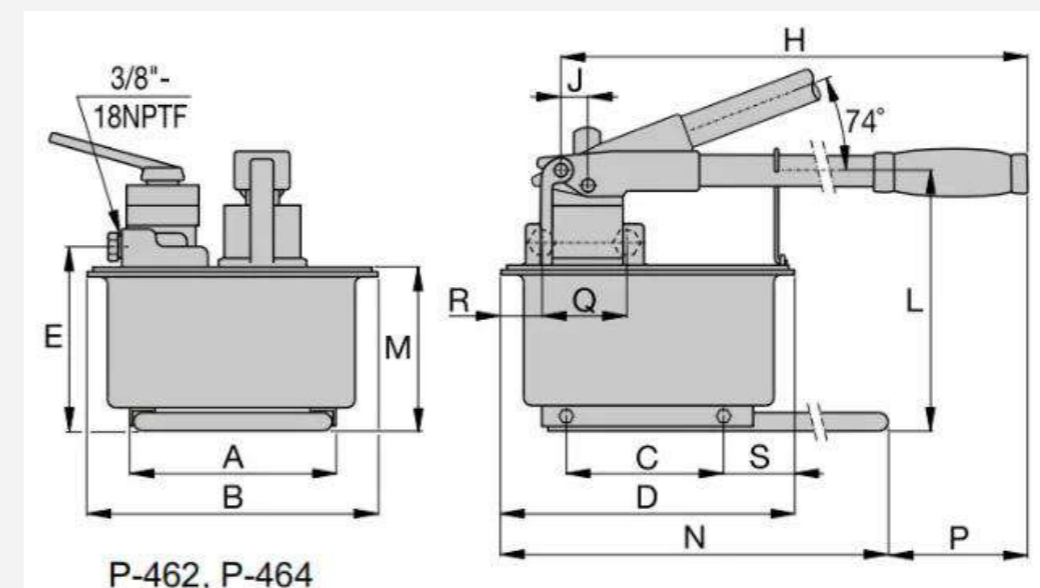
Hydraulic Hand Pump



P462 Two Speed, Steel Hydraulic Hand Pump

Product description:

Model:P462
 Pump Type:Double Speed
 Used with Cylinder:Single-Acting
 Usable Oil Capacity: 7423cm³
 Max.Operating Pressure: 700 bar
 Pressure Rating 1st Stage: 25bar/348.1 psi
 Pressure Rating 2nd Stage:700bar/10000 psi
 Oil Displacement Per Stroke 1st Stage (cm³)126.2
 Oil Displacement Per Stroke 2nd Stage (cm³)4.75
 Weight:27 kg
 Minimum Order:1Piece
 Manufacturer:SAIVS
 Country of Origin:China



Model Number	A	B	C	D	E	F	H	J	L	M	N	P	Q	R	S	T
P392	393	520	35	38	32	-	464	30	119	65	133	-	-	-	-	-
P80	425	539	25	44	54	-	527	29	174	19	146	121	-	21	8	67
P84	425	510	25	44	-	64	527	29	174	19	146	121	38	43	8	67
P462	210	308	163	320	195	-	671	25	270	175	650	92	-	-	-	-
P464	210	308	163	320	195	-	671	25	270	175	650	92	89	68	80	-

Model Number	Pump Type	Usable Oil Capacity (cm ³)	Pressure Rating (bar)	Oil Displacement per Stroke (cm ³)	Max. Handle Effort (kg)	Piston Stroke (mm)	Weight (kg)
P392	Double speed	655	1 st stage: 25 2 nd stage: 700	1 st stage: 15 2 nd stage: 2.62	50	20.6	5.9
P80		2200	1 st stage: 25 2 nd stage: 700	1 st stage: 16.22 2 nd stage: 2.46	47	25.4	10.9
P84		2200	1 st stage: 25 2 nd stage: 700	1 st stage: 16.22 2 nd stage: 2.46	49	25.4	13.2
P462		7423	1 st stage: 14 2 nd stage: 700	1 st stage: 26.20 2 nd stage: 4.75	49	38.1	27
P464		7423	1 st stage: 14 2 nd stage: 700	1 st stage: 26.20 2 nd stage: 4.75	49	38.1	27.7